

@weigh

Animal Weighing Scales



Sound Veterinary Equipment Pty Ltd
ABN 98 124 840 688 ACN 124 840 688
P.O. Box 2916, Rowville VIC 3178 Australia
Phone: 1300 881 681 Fax: 1300 881 682
E: contact@soundveterinary.com.au

Quick Start

These scales have been calibrated and tested to work as specified before dispatch.

To ensure correct use of the scales, please make sure that the scales are on a hard, level surface. If the scales cannot find a stable 'zero' point they will not operate correctly and will not zero. This is typically the most common problem when first setting up the scales.

The screw-in-feet on the bottom of the scales are the reference points for the scales to measure and must be adjusted to be both level and stable. You can test this before turning on the scales by pushing down on the each of the four corners to check there is no give or wobble. Using the scales on soft surfaces (like carpet or foam) will not be sufficient for accurate operation.

If you going to run the scales on mains power all the time and would like to adjust the auto off facility, follow the steps in Table 2 to adjust AOFF to always OFF.

If you have trouble setting up the scales, please call on 1300 881 681.

Power

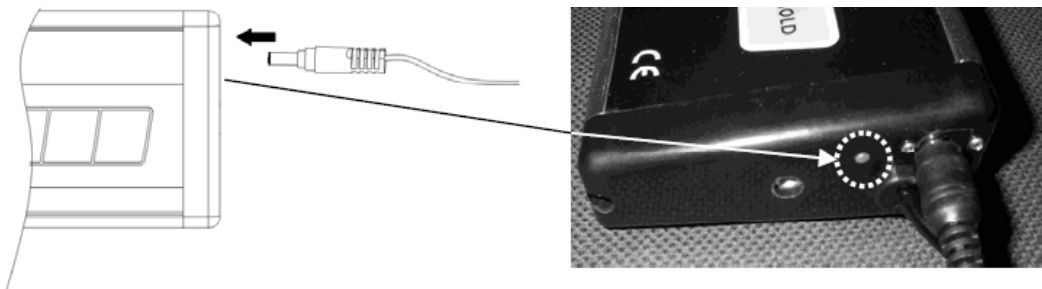
The display head contains six re-chargeable batteries. The low battery indicator is displayed when the battery power is insufficient to power the scales.

AC Adaptor - The scale uses a power pack for mains power: 12V 500mA adaptor.

IMPORTANT – Always connect the AC adaptor to the display head before connecting to the mains power supply. Disconnect from the mains power supply before disconnecting the adaptor from the display head.

Re-charging the Batteries

Insert the AC re-charger adapter into the socket on the side of the display head to recharge the batteries.



While charging, the LED will be red. When the battery is fully charged, the LED will be green.

On/Off Switch

Press the RED key on the left side of the display head to turn the scale On/Off.



The automatic turn-off time can be set or disabled (off) in the settings mode. See table 2.

Key Functions

ZERO

UNITS

TARE

HOLD

1. ZERO:

- Use this key to “Zero” the scale when not showing a zero reading or showing a negative reading.

2. UNITS:

- Select weight units: Kg/Lb/Oz


3. TARE:

- When there is load on the scale, press this key to return to zero.
- Put a container on the scale, press the TARE key to tare the weight & the tarred value is stored.
- If an empty container is used the weight can be ignored by zeroing the display. To zero the display, press the [TARE] key. Then when material is placed in the container only the weight of the material will be shown.

4. HOLD:

- Press this key to store weight value.
- To release Hold feature, press the HOLD key again.
- To release Hold feature & tare the weight, press the TARE key.

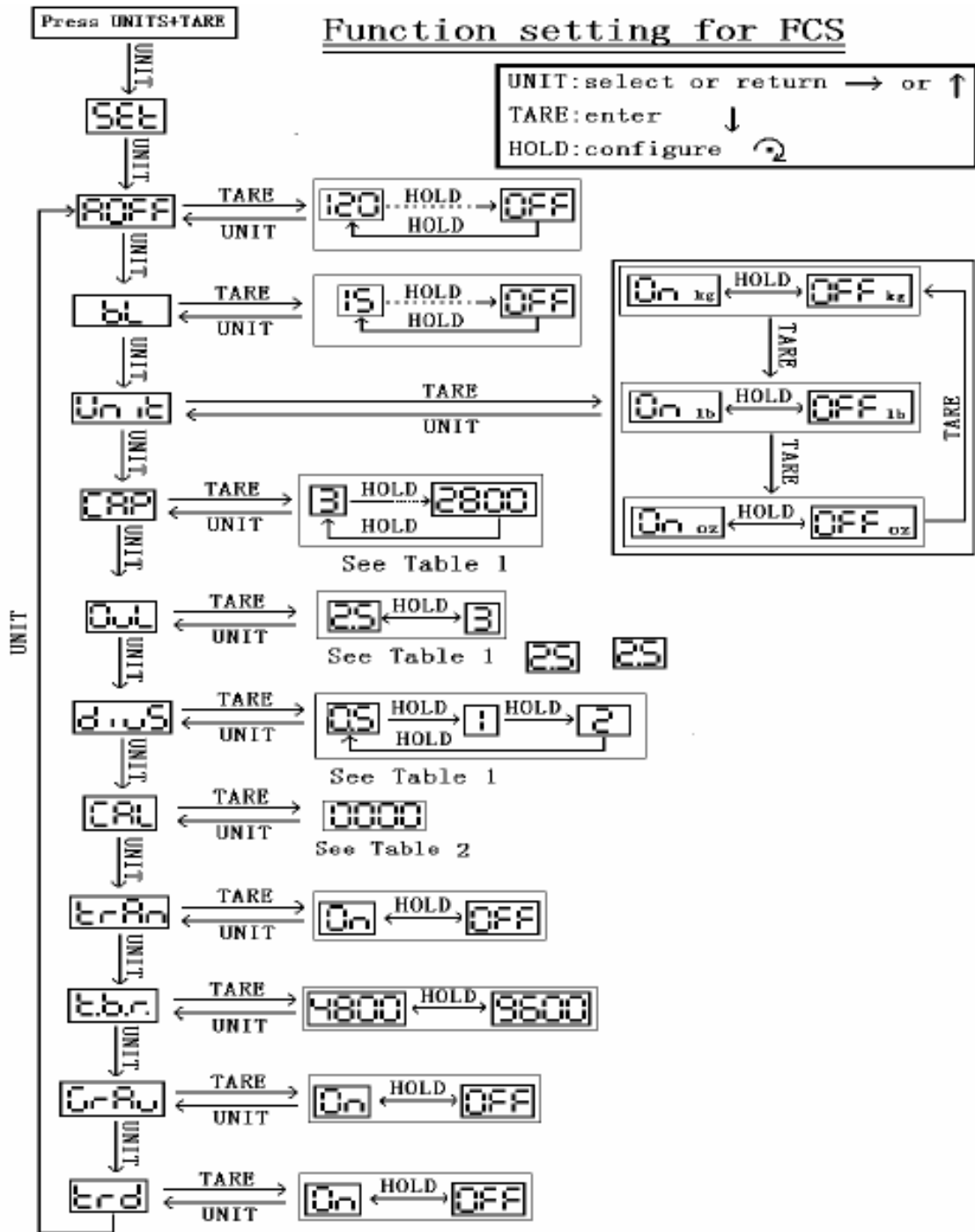
TABLE I.

STATE	DESCRIPTION	TIME FOR CUT-OFF	NOTE
	Low Battery Indication	30 seconds	
ErrE	Memory Error	30 seconds	
EEEEEE	Overload	30 seconds	
ErrH	Zero Value Higher	30 seconds	
ErrL	Zero value lower	30 seconds	
	Zero tracking	According as time of shut off	
Minus weight value	Display of weighing is minus value	According as time of shut off	
Same weight value	Display of weighing is same weight value	According as time of shut off	Inclusion zero tracking & minus weight
Differ weight value	Display of weighing is different weight value	No off	Inclusion minus weight

Function Table

To enable the settings mode press [TARE] & [UNITS] together first, then press [ON/OFF] switch, the LCD display will show "SET"

TABLE 2.



The Meanings of Function Settings

1. AOFF Time for Auto off setting {120 sec, 180 sec, 240 sec, 360 sec, off}
2. bl Back Light
3. Unit Weight units {Kg / Lb / Oz}
4. CAP Capacity
5. OvL Over load
6. divS Division
7. CAL Calibration weight
8. trAn RS232 Transfer
9. t.b.r. RS232 Transfer baud rate
10. Grav Gravity
11. trd Transfer mode

Specifications

Capacity:	150kg x 50 gm / 300kg x 100gm
Display:	1.2" LCD display with 5 digits
Operating Temperature:	5° C – 35° C
Weight:	23.5 kg
Dimensions:	950mm x 500mm x 85mm
Power Supply:	12V 500mA AC adaptor
Platform:	SUS 304 Stainless Steel

Warnings & Troubleshooting

- The scale uses a liquid crystal display. If the LCD screen breaks & liquid leaks from the LCD, avoid contact with the skin. This liquid is also toxic if ingested.
- Don't use the scale in an atmosphere containing flammable gases or explosive fumes. This is not an explosion proof model & a fire or explosion may result in improper use.
- Do not operate the scale if there is smoke or a burning smell coming from the unit. Remove the mains power adaptor from the display head immediately. After making sure there is no danger consult your dealer. Never try to repair the scale yourself.
- If the scale becomes dirty, wipe it with a soft cloth. For stubborn stains, apply a little neutral detergent & then wipe the scale with a dry cloth. Do not use thinner, benzene or chemical agents, all of which can cause deformation, discolouration or deterioration of the scale.
- The scale is a sensitive weighing instrument, avoid physical shocks. If you drop something on the scale, step on the platform, or drop it, the scale may be damaged & lose accuracy.
- Don't push the indicator or keys with sharp objects. They may break or puncture the switch membrane panel.

To keep the scale working efficiently

- Place the scale on a flat, stable surface that will support the scale & the load.
- The operating temperature range is 5°C – 35°C.
- Don't disassemble or modify the scale, you will void the warranty.
- Modified scales will not be legal for trade.